

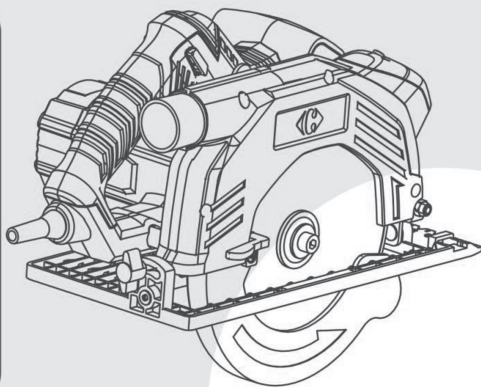
Instruction manual

1350W Circular Saw

CCS1350W(DY94283)



ORIGINAL INSTRUCTIONS





Congratulation on your purchase.

The quality team at CARREFOUR cares for its products to meet conformity and performances.

Paying close attention to your satisfaction, our experts work all day on the improvement of our products.



For assembly and/or maintenance and/or use of your product, you can use:



These products are available in CARREFOUR stores.



Read this manual carefully

For a better use of your new device, we recommend you to read carefully this Instruction Manual and keep it for record.

Keep it carefully for future reference.





Please also find information about the scraping of the product in this Instruction Manual.






Safety instructions

Before installing or using this product, please read carefully the safety measures after the table of contents.

Pictograms used

	Warning symbols with information on damage and injury prevention.
	Read the instruction manual.
	Electrical products must not be disposed of with the domestic waste.
	Protection class II (double insulation)

WARNING! Wear the personal protective equipment

	Wear hearing protection.
	Wear safety glasses.
	Wear a dust mask.

CONTENTS

SAFETY INSTRUCTIONS	5
PRODUCT DESCRIPTION	9
INTENDED USE.....	11
SCOPE OF DELIVERY	11
BEFORE USE.....	12
OPERATION	13
CLEANING & MAINTENANCE.....	14
STORAGE AND TRANSPORTATION	14
REPLACEMENT PARTS/ACCESSORIES.....	15
DISPOSAL	15
DECLARATION OF CONFORMITY	16
WARRANTY	17
PRODUCT FAILURE.....	18
WARRANTY EXCLUSIONS	19

SAFETY INSTRUCTIONS

GENERAL POWER TOOL SAFETY WARNINGS

WARNING Read all safety warnings, instructions, illustrations and specifications provided with this power tool. Failure to follow all instructions listed below may result in electric shock, fire and/or serious injury.

Save all warnings and instructions for future reference.

The term "power tool" in the warnings refers to your mains-operated (corded) power tool or battery-operated(cordless) power tool.

1. Work area safety

- a) **Keep work area clean and well lit.** Cluttered or dark areas invite accidents.
- b) **Do not operate power tools in explosive atmospheres, such as in the presence of flammable liquids, gases or dust.** Power tools create sparks which may ignite the dust or fumes.
- c) **Keep children and bystanders away while operating a power tool.** Distractions can cause you to lose control.

2. Electrical safety

- a) **Power tool plugs must match the outlet. Never modify the plug in any way. Do not use any adapter plugs with earthed (grounded) power tools.** Unmodified plugs and matching outlets will reduce risk of electric shock.
- b) **Avoid body contact with earthed or grounded surfaces, such as pipes, radiators, ranges and refrigerators.** There is an increased risk of electric shock if your body is earthed or grounded.
- c) **Do not expose power tools to rain or wet conditions.** Water entering a power tool will increase the risk of electric shock.
- d) **Do not abuse the cord. Never use the cord for carrying, pulling or unplugging the power tool. Keep cord away from heat, oil, sharp edges or moving parts.** Damaged or entangled cords increase the risk of electric shock.
- e) **When operating a power tool outdoors, use an extension cord suitable for outdoor use.** Use of a cord suitable for outdoor use reduces the risk of electric shock.
- f) **If operating a power tool in a damp location is unavoidable, use a residual current device (RCD) protected supply.** Use of an RCD reduces the risk of electric shock.

3. Personal safety

- a) **Stay alert, watch what you are doing and use common sense when operating a power tool. Do not use a power tool while you are tired or under the influence of drugs, alcohol or medication.** A moment of inattention while operating power tools may result in serious personal injury.
- b) **Use personal protective equipment. Always wear eye protection.** Protective equipment such as a dust mask, non-skid safety shoes, hard hat or hearing protection used for appropriate conditions will reduce personal injuries.
- c) **Prevent unintentional starting. Ensure the switch is in the off-position before connecting to power source and/or battery pack, picking up or carrying the tool.** Carrying power tools with your finger on the switch or energising power tools that have the switch on invites accidents.
- d) **Remove any adjusting key or wrench before turning the power tool on.** A wrench or a key left attached to a rotating part of the power tool may result in personal injury.
- e) **Do not overreach. Keep proper footing and balance at all times.** This enables better control of the power tool in unexpected situations.
- f) **Dress properly. Do not wear loose clothing or jewellery. Keep your hair and clothing away from moving parts.** Loose clothes, jewellery or long hair can be caught in moving parts.
- g) **If devices are provided for the connection of dust extraction and collection facilities, ensure these are connected and properly used.** Use of dust collection can reduce dust-related hazards.

h) Do not let familiarity gained from frequent use of tools allow you to become complacent and ignore tool safety principles. A careless action can cause severe injury within a fraction of a second.

4. Power tool use and care

a) Do not force the power tool. Use the correct power tool for your application. The correct power tool will do the job better and safer at the rate for which it was designed.

b) Do not use the power tool if the switch does not turn it on and off. Any power tool that cannot be controlled with the switch is dangerous and must be repaired.

c) Disconnect the plug from the power source and/or remove the battery pack, if detachable, from the power tool before making any adjustments, changing accessories, or storing power tools. Such preventive safety measures reduce the risk of starting the power tool accidentally.

d) Store idle power tools out of the reach of children and do not allow persons unfamiliar with the power tool or these instructions to operate the power tool. Power tools are dangerous in the hands of untrained users.

e) Maintain power tools and accessories. Check for misalignment or binding of moving parts, breakage of parts and any other condition that may affect the power tool's operation. If damaged, have the power tool repaired before use. Many accidents are caused by poorly maintained power tools.

f) Keep cutting tools sharp and clean. Properly maintained cutting tools with sharp cutting edges are less likely to bind and are easier to control.

g) Use the power tool, accessories and tool bits etc. in accordance with these instructions, taking into account the working conditions and the work to be performed. Use of the power tool for operations different from those intended could result in a hazardous situation.

h) Keep handles and grasping surfaces dry, clean and free from oil and grease. Slippery handles and grasping surfaces do not allow for safe handling and control of the tool in unexpected situations.

5. Service

a) Have your power tool serviced by a qualified repair person using only identical replacement parts. This will ensure that the safety of the power tool is maintained.

SAFETY INSTRUCTIONS FOR ALL SAWS

a) DANGER: Keep hands away from cutting area and the blade. Keep your second hand on auxiliary handle, or motor housing. If both hands are holding the saw, they cannot be cut by the blade.

NOTE For circular saws with 140 mm or smaller diameter blades, the "Keep your second hand on auxiliary handle, or motor housing" may be omitted.

b) Do not reach underneath the workpiece. The guard cannot protect you from the blade below the workpiece.

c) Adjust the cutting depth to the thickness of the workpiece. Less than a full tooth of the blade teeth should be visible below the workpiece.

d) Never hold piece being cut in your hands or across your leg. Secure the workpiece to a stable platform. It is important to support the work properly to minimize body exposure, blade binding, or loss of control.

e) Hold power tool by insulated gripping surfaces when performing an operation where the cutting tool may contact hidden wiring or its own cord. Contact with a "live" wire will also make exposed metal parts of the power tool "live" and shock the operator.

f) When ripping always use a rip fence or straight edge guide. This improves the accuracy of cut and reduces the chance of blade binding.

g) Always use blades with correct size and shape (diamond versus round) of arbour holes. Blades that do not match the mounting hardware of the saw will run eccentrically, causing loss of control.

- h) **Never use damaged or incorrect blade washers or bolt.** *The blade washers and bolt were specially designed for your saw, for optimum performance and safety of operation.*

FURTHER SAFETY INSTRUCTIONS FOR ALL SAWS

Kickback causes and related warnings:

kickback is a sudden reaction to a pinched, bound or misaligned saw blade, causing an uncontrolled saw to lift up and out of the workpiece toward the operator;

- when the blade is pinched or bound tightly by the kerf closing down, the blade stalls and the motor reaction drives the unit rapidly back toward the operator;
- if the blade becomes twisted or misaligned in the cut, the teeth at the back edge of the blade can dig into the top surface of the wood causing the blade to climb out of the kerf and jump back toward the operator.

Kickback is the result of saw misuse and/or incorrect operating procedures or conditions and can be avoided by taking proper precautions as given below.

- a) **Maintain a firm grip with both hands on the saw and position your arms to resist kickback forces.** **Position your body to either side of the blade, but not in line with the blade.** *Kickback could cause the saw to jump backwards, but kickback forces can be controlled by the operator, if proper precautions are taken.*
- b) **When blade is binding, or when interrupting a cut for any reason, release the trigger and hold the saw motionless in the material until the blade comes to a complete stop. Never attempt to remove the saw from the work or pull the saw backward while the blade is in motion or kickback may occur.** *Investigate and take corrective actions to eliminate the cause of blade binding.*
- c) **When restarting a saw in the workpiece, centre the saw blade in the kerf and check that saw teeth are not engaged into the material.** *If saw blade is binding, it may walk up or kickback from the workpiece as the saw is restarted.*
- d) **Support large panels to minimise the risk of blade pinching and kickback.** *Large panels tend to sag under their own weight. Supports must be placed under the panel on both sides, near the line of cut and near the edge of the panel.*
- e) **Do not use dull or damaged blades.** *Unsharpened or improperly set blades produce narrow kerf causing excessive friction, blade binding and kickback.*
- f) **Blade depth and bevel adjusting locking levers must be tight and secure before making cut.** *If blade adjustment shifts while cutting, it may cause binding and kickback.*
- g) **Use extra caution when sawing into existing walls or other blind areas.** *The protruding blade may cut objects that can cause kickback.*

SAFETY INSTRUCTIONS FOR CIRCULAR SAWS

- a) **Check lower guard for proper closing before each use. Do not operate the saw if lower guard does not move freely and close instantly. Never clamp or tie the lower guard into the open position.** *If saw is accidentally dropped, lower guard may be bent. Raise the lower guard with the retracting handle and make sure it moves freely and does not touch the blade or any other part, in all angles and depths of cut.*

NOTE Alternate wording may be substituted for "retracting handle." is possible


- b) **Check the operation of the lower guard spring. If the guard and the spring are not operating properly, they must be serviced before use.** *Lower guard may operate sluggishly due to damaged parts, gummy deposits, or a build-up of debris.*

- c) Lower guard may be retracted manually only for special cuts such as "plunge cuts" and "compound cuts." Raise lower guard by retracting handle and as soon as blade enters the material, the lower guard must be released. For all other sawing, the lower guard should operate automatically.
- d) Always observe that the lower guard is covering the blade before placing saw down on bench or floor. An unprotected, coasting blade will cause the saw to walk backwards, cutting whatever is in its path. Be aware of the time it takes for the blade to stop after switch is release.

SPECIFIC SAFETY INSTRUCTIONS FOR CIRCULAR SAWS

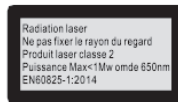
- a) Do not use any grinding discs.
- b) Use only saw blade with diameters corresponding to the label on the saw.
- c) When sawing wood or other materials which may create dusts that are hazardous to health, always connect a suitable, certified vacuum extractor device.
- d) During the operation of cutting plastic, avoid melting the plastic.
- e) Wear a dust mask when sawing wood.
- f) Use only the recommended saw blades.
- g) Always wear ear protectors.
- h) Do not allow the teeth of the saw blade to overheat.
- i) When sawing plastic, avoid melting the plastic.
- j) Always use the correct saw blade for the material being worked.
- k) Use only saw blades with a speed marking which corresponds to or is higher than the speed specified for the power tool.
- l) Saw blades intended for use on wood or similar.

SAFETY WARNINGS FOR THE LASER

 **WARNING! Protect yourself from laser radiation**

The Circular saw contains a Class 2 Laser.

- 1. NEVER direct the laser beam at people or animals.
- 2. NEVER look directly into the laser beam. The laser beam can cause serious eye damage.
- 3. Do NOT direct the laser beam at strongly reflective material. Reflected laser beams are also dangerous.
- 4. Any adjustment intended to increase the intensity of the laser beam is forbidden. There is a risk of personal injury!
- 5. No liability will be accepted for damage resulting from manipulation of the laser
- 6. equipment or from disregarding these safety instructions.
- 7. Caution if other than the controls or adjustments specified here or other procedures are carried out, this may lead to dangerous exposure to radiation.



RESIDUAL RISK

Even if properly operating and handling this electric tool, some residual risks will remain. Due to its construction and build, this electric tool may present the following hazards,

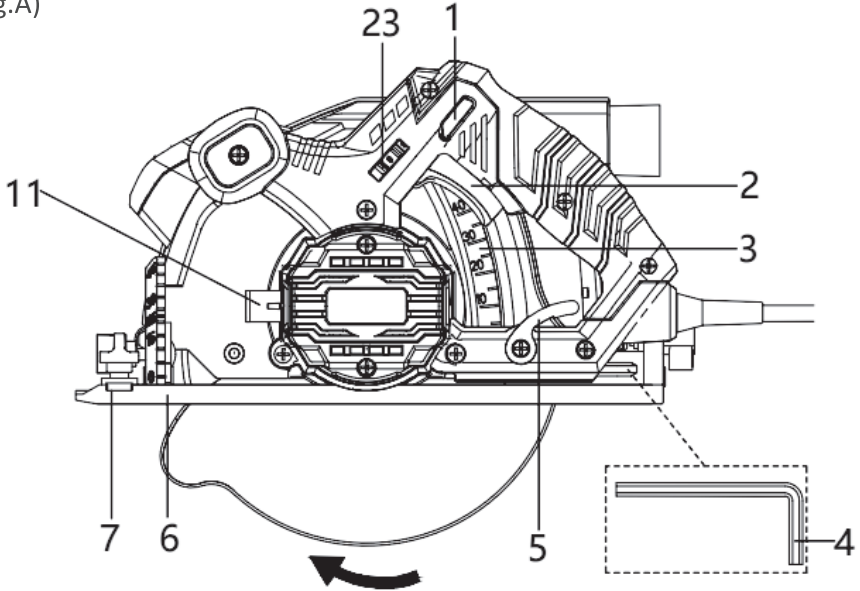
- 1. Ear damage if working without wearing ear protection
- 2. Eye damage if suitable eyes protection is not worn.
- 3. Cut, dangerous from the saw blade.
- 4. Dust, lung damage if without wearing a dust mask.
- 5. The inserting tool might still be hot after the application. Burn hazard when touching the inserting tool.

Do not touch the inserting tool barehanded. Wear protective gloves!

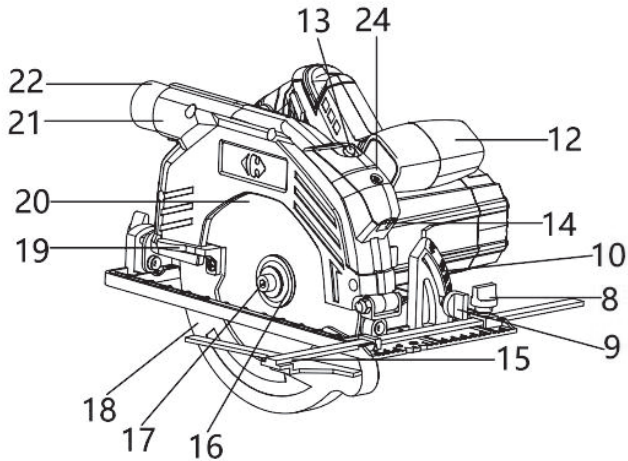
- 6. Damage to your health caused by swinging your hands and arms when operating the electric tool for longer periods of time or if the tool is not held or maintained properly.

PRODUCT DESCRIPTION

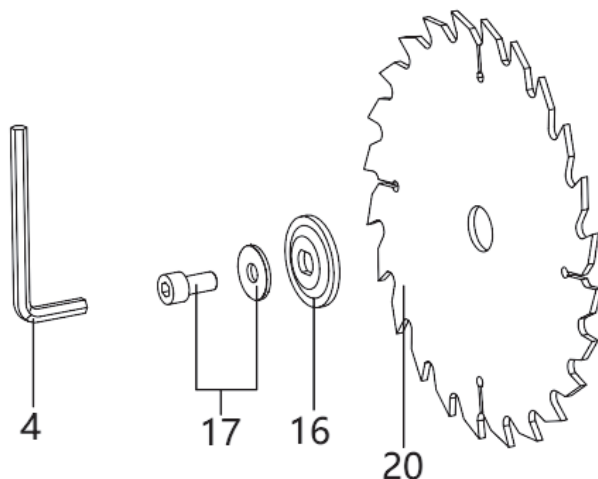
(Fig.A)



B



C




OVERVIEW (Fig. A-B)

- | | |
|---|--|
| 1. Safety lock-out | 13. ON/OFF switch laser |
| 2. ON/OFF switch | 14. Laser discharge opening |
| 3. Cutting depth scale | 15. Guide fence |
| 4. Allen key | 16. Clamping fange |
| 5. Locking screw | 17. Clamping screw /plain washer |
| 6. Base plate | 18. Blade guard |
| 7. Guide fence slot | 19. Release lever for the blade guard |
| 8. Wing screw for guide fence slot | 20. Saw blade |
| 9. Wing screw for cutting angle preselector | 21. Chip ejector |
| 10. Cutting angle scale | 22. Vacuum adaptor for dust extraction |
| 11. Spindle lock | 23. Rotational speed preselector adjusting wheel |
| 12. Auxiliary handle | 24. Battery compartment cover |

INTRODUCTION

The operating instructions contain important information on safety, use and disposal. It is essential that you read the instructions before assembling, operation and maintaining the product. Use the product only as described and for the applications specified. Keep this manual safely and in the event that the product is passed on, hand over all documents to the third party or any future owner.

TECHNICAL DATA

Rated voltage	230V~, 50Hz
Rated power	1350W
Rated no-load speed/ n ₀	2200-5000/min
Max. cutting depth	Wood / plastic at 0°: 65mm Wood / plastic at 45° : 44mm
Saw blade	Ø190mm x 2.5mm x Ø20mm, 24 teeth
Protection class:	II/ 
Noise emission value according to EN 62841-2-5	
Sound pressure level L _{PA}	92 dB(A)
Sound power level L _{WA}	103 dB(A)
Uncertainty K for L _{PA} L _{WA}	3dB(A)
Vibration emission value according to EN EN 62841-2-5	
a _{h,W}	3,2m/s ²
Uncertainty K	1.5 m/s ²

- The declared vibration total values and the declared noise emission values have been measured in accordance with a standard test method and may be used for comparing one tool with another.
- The declared vibration total values and the declared noise emission values may also be used in a preliminary assessment of exposure.

WARNINGS

- The vibration and noise emissions during actual use of the power tool can differ from the declared values depending on the ways in which the tool is used especially what kind of workpiece is processed; and
- It is necessary to identify safety measures to protect the operator that are based on an estimation of exposure in the actual conditions of use (taking account of all parts of the operating cycle such as the times when the tool is switched off and when it is running idle in addition to the trigger time)

INTENDED USE

The appliance is designed for longitudinal, cross and mitre cuts in firmly supported solid wood, chipboard, plastics and lightweight construction materials.

Any other usage or modification of the appliance is deemed to be improper and carries a significant risk of accidents. The manufacturer accepts no responsibility for damage(s) attributable to misuse. Not for commercial use.

SCOPE OF DELIVERY

1 x circular saw	1x saw blades
1x guide fence	2x batteries
1x vacuum adapter for dust extraction	1x instruction manual
1x Allen key	

BEFORE USE



WARNING! Always switch off the appliance and remove the power plug before starting any work on the appliance!

CHECK THE BLADE GUARD

For safety reason, you should check that the blade guard is functioning correctly before use.

1. Make sure that all moving parts of the blade guard (18) move freely without jamming and all devices designed to cover the saw blade are working correctly.
2. Activate the blade guard (18) only using the release lever for the blade guard (18).
3. Pull the release lever for the blade guard (19) all the way back.
4. When you let go of the release lever for the blade guard (19), the blade guard (18) must move freely back to its starting position.

FITTING /CHANGING THE SAW BLADE

- All blades used should conform to EN 847-1.
 - Use only saw blade with diameters corresponding to the label on the saw.
 - The arrow on the saw blade must correspond to the arrow showing direction of the rotation (running direction shown on the device).
 - Ensure the saw blade is suitable for the rotational speed of the saw.
1. Set the cutting depth (using the locking screw (5)) to the minimum position, 0 mm.
 2. Swing the blade guard (18) back using the release lever (19) and put the device down.
 3. Press the spindle lock button (11) (until it engages) and use the Allen key (4) to release the clamping screw/washer (17) and the clamping flange (see Fig. C).
 4. Remove the saw blade (20).
 5. Fitting a saw blade is carried out in the reverse order.
 6. Press the spindle lock button (11) (until it engages) and use the Allen key (4) to tighten the clamping screw/washer (17).

MOUNTING / SETTING THE GUIDE FENCE

1. Loosen the wing screw (8) and insert the guide fence (15) into the guide fence slot (7).
2. Set the desired cut width with the help of the scale on the guide fence (15) and the marking arrow in the base plate (6).
3. Retighten the wing screw (8).

CONNECTING THE SAW DUST EXTRACTION APPLIANCE

1. Attach the adapter for dust extraction (22) to the chip ejector (21).
2. Connect an approved dust and chip extraction device.

OPERATION



WARNING! Make sure that the power supply voltage matches the voltage rating indicated on the appliance's type plate.

SWITCHING ON AND OFF

1. Switching on

- Push the **safety** lock-out (1) to the left or right and keep it pressed.
- Press the ON/OFF switch (2). Once the saw is running you can release the safety lock-out (1).

2. Switch off:

- release the ON/OFF switch (2).

SETTING THE CUTTING ANGLE

You can select the cutting angle with the help of the cutting angle scale.

- Release the wing screw on the cutting angle preselector (9), set the desired angle on the cutting angle scale (10) and then re-tighten the wing screw.

SETTING THE CUTTING DEPTH

It is generally recommended to set the cutting depth to approx. 3 mm more than the thickness of the material. This ensures that you achieve a clean cut.

- Release the locking screw (5), set the desired cutting depth on the cutting depth scale (3) and then re-tighten the locking screw (5).

WORKING WITH THE CIRCULAR SAW

1. Switch on the device – as described in “Switching on and off” – and then place it with the front edge of the base plate (6) on the material.
2. Align the machine using the guide fence (15) or by using a marked line.
3. Hold the machine in both hands using the handles and saw by exerting an even pressure.

SWITCHING THE LASER ON AND OFF

- Press the ON/OFF switch laser (13) to switch it on;
- Press the ON/OFF switch laser (13) once more to switch it off;

NOTE: if the batteries are spent, replace with the two 1.5V alkaline button cells (type AG 13/LR 44, e.g. GPA 76).

SET THE ROTATIONAL SPEED

- Turn the adjusting wheel (23) to the desired rotational speed (arrow marking).
1= the lowest rotational speed and 6 = the highest rotational speed.

Use the following suggested settings or set the rotational speed on the adjusting wheel (23) as required.

Materials	Rotational speed setting
Cross cuts & longitudinal cuts in hard and soft wood (solid wood)	6
Chipboard, fibre board	6
Core board, plywood	6
Coated and veneered board	6
PVC sheets	3 - 5
Acrylic glass sheets, Perspex	2 - 4
Aluminium plate / profile	4 - 6
Plaster board	1 - 2
Stone wool board	1 - 2
Cement-bonded particle board	1 - 2

TIPS AND TRICKS

Avoid damaging the cutting edge of sensitive materials, e.g. coated chipboards or doors, by sticking masking tape along the cutting line. Another benefit of this is that it is easier to mark a line on the tape than on a shiny surface. An even more effective method of protecting the cutting edges is to clamp a thin piece of wood along the cutting line (this wood is also sawn).

CLEANING & MAINTENANCE



WARNING! RISK OF INJURY!

- Pull the mains plug before any work on maintenance or repair.
- Repair and servicing work not described in this manual should always be carried by the Service Centre. Use only the original parts.
- The following cleaning and servicing should be done regularly. This will ensure a long and reliable service life.
- Do not spray the appliance with water and do not immerse it in water. **Electric Shock** hazard.
- Keep clean the ventilation slots, motor housing and handles of the appliance. Use a damp cloth or a brush. Do not use cleaning agents or solvents. You may otherwise irreparably damage the appliance.
- Always clean the appliance after completion of work.
- The blade guard must always move freely and close automatically. Therefore, keep the area around the blade guard clean at all times. Remove dust and chips by blowing them out with compressed air or with a brush.
- If the replacement of the supply cord is necessary, this has to be done by the manufacturer or his agent in order to avoid a safety hazard.

STORAGE AND TRANSPORTATION

STORAGE


- Switch off and unplug the appliance before storage.
- Store the appliance in a dry and secure place well out of reach of children.
- Store the appliance and all the individual pieces in the provided plastic case to ensure not to lose any part.

TRANSPORT

Before transporting, observe the followings:

- Switch off and unplug the appliance.
- Allow the appliance to cool down.
- Put the appliance and accessories into the case.
- Hold the handle of the case for transportation carefully.

REPLACEMENT PARTS/ACCESSORIES

 **WARNING!** Only use accessories specified in the operating manual. Using the accessories other than those specific in the operating manual may cause a risk of injury. Only get the accessories from the Service Centre.

DISPOSAL



To help the environment, please dispose of the product properly when it has reached the end of its useful life and not in the household waste. Information on collection points and their opening hours can be obtained from your local authority

N° : 4093-2021-SM-CE - -DY94283



DÉCLARATION CE / UE DE CONFORMITÉ
EC / EU DECLARATION OF CONFORMITY
EG / EU VERKLARING VAN OVEREENSTEMMING
DECLARACIÓN CE / UE DE CONFORMIDAD

Nom et adresse du fabricant (1) / nom et adresse de la personne autorisée à constituer le dossier technique (2)
 Name and address of the manufacturer (1) / name and address of the person authorised to compile the technical file (2)
 Firmaam en adres van de fabrikant (1) / Naam en adres van degene die gemachtigd is het technisch dossier samen te stellen (2)
 Nombre y dirección de la fabricante (1) / Nombre y dirección de la persona facultada para reunir el expediente técnico (2)

Carrefour Marchandises Internationales / CMI – Christophe Legraverend
 93 avenue de Paris
 91300 Massy – France

Identification du produit: Identification of the product: Identificatie van de machine Identificación del producto: DY94283	Description et identification de la machine (3) : Description and identification of the machinery (3): Beschrijving en identificatie van de machine (3) : Descripción e identificación de la máquina (3): Carrefour, SCIE CIRCULAIRE, DY94283 / CCS1350W Numéro de série / Serial number / Het serienummer/ Número de serie : 20210721476-20210721915
--	--

L'objet de la déclaration décrit ci-dessus satisfait à l'ensemble des dispositions pertinentes du code du travail Français et de l'arrêté royal Belge du 12 AOUT 2008 (4). Het hierboven beschreven voorwerp voldoet aan alle toepasselijke bepalingen van Koninklijk besluit van 12 Augustus 2008 (4)

The object of the declaration described above fulfils all the relevant provisions of Directive 2006/42/CE (4)
El objeto de la declaración descrita anteriormente cumple todas las disposiciones aplicables de la Directiva 2006/42/CE (4)

Références des normes harmonisées pertinentes appliquées ou des spécifications par rapport auxquelles la conformité est déclarée(7,8) :

References to the relevant harmonised standards used or references to the specifications in relation to which conformity is declared (7,8):

Vermelding van de toegepaste relevante geharmoniseerde normen of van de specificaties waarop de conformiteitsverklaring betrekking heeft (7,8):

Referencias a las normas armonizadas pertinentes utilizadas, o referencias a las especificaciones respecto a las cuales se declara la conformidad (7,8):

EN 62841-1:2015
EN 62841-2-5:2014

L'objet de la déclaration décrit ci-dessus est conforme à la législation d'harmonisation de l'union applicable:

The object of the declaration described above is in conformity with the relevant Union harmonization legislation:

Het hierboven beschreven voorwerp is conform de desbetreffende harmonisatiewetgeving van de Unie:

El objeto de la declaración descrita anteriormente es conforme a la legislación de armonización pertinente de la Unión:

Références des normes harmonisées pertinentes appliquées ou des spécifications par rapport auxquelles la conformité est déclarée:

References to the relevant harmonised standards used or references to the specifications in relation to which conformity is declared:

Vermelding van de toegepaste relevante geharmoniseerde normen of van de specificaties waarop de conformiteitsverklaring betrekking heeft:

Referencias a las normas armonizadas pertinentes utilizadas, o referencias a las especificaciones respecto a las cuales se declara la conformidad:

DIRECTIVE 2014/30/EU (EMC) **EN55014-1:2017+A11**
EN55014-2:2015
EN IEC 61000-3-2:2019
EN 61000-3-3:2013+A1 or EN 61000-3-11:2000

DIRECTIVE 2011/65/EU (ROHS) -

Signé par et au nom de:

Signed for and on behalf of:

Ondertekend voor en namens:

Firmado por y en nombre de:

Christophe LEGRAVEREND

Non-Food Quality Director

Carrefour Marchandises Internationales/CMI

Date et lieu d'établissement: Massy, 18/08/2021

Place and date of issue:

Datum van afgifte en plaats:

Lugar y fecha de expedición:

Carrefour Marchandises Internationales - CMI - SAS au capital de 40.000€
 93 Avenue de Paris - 91300 MASSY - France
 RCS Evry 385 171 582

WARRANTY

The manufacturer guarantees the product against defects in material and workmanship for a period of 2 years from the date of the original purchase. The warranty only applies if the product is for household use. The warranty does not cover breakdowns due to normal wear and tear.

The manufacturer agrees to replace parts identified as defective by the designated distributor. The manufacturer does not accept responsibility for the replacement of the machine, in whole or in part, and/or ensuing damage.

The warranty does not cover breakdowns due to:

- insufficient maintenance.
- abnormal assembly, adjustment or operations of the product.
- parts subject to normal wear and tear.

The warranty does not extend to:

- shipping and packaging costs.
- using the tool for a purpose other than that for which it was designed.
- the use and maintenance of the machine done in a manner not described in the user manual.

Due to our policy of continuous product improvement, we reserve the right to alter or change specifications without notice. Consequently, the product may be different from the information contained therein, but a modification will be undertaken without notice if it is recognized as an improvement of the preceding characteristic.

READ THE MANUAL CAREFULLY BEFORE USING THE MACHINE.

When ordering spare parts, please indicate the part number or code, you can find this in the spare parts list in this manual. Keep the purchase receipt; without it, the warranty is invalid. To help you with your product, we invite you to contact us by phone or via our website:

+33 (0)9.70.75.30.30
<https://services.swap-europe.com/contact>

You must create a "ticket" via the web platform.

- Register or create your account.
- Indicate the reference of the tool.
- Choose the subject of your request.
- Describe your problem.

Attach these files: invoice or sales receipt, photo of the identification plate (serial number), photo of the part you need (for example: pins on the transformer plug which are broken).



PRODUCT FAILURE

WHAT TO DO IF MY MACHINE BREAKS DOWN?

If you bought your product in a store:

- Make sure that your machine is complete with all accessories supplied, and clean! If this is not the case, the repairer will refuse the machine.
- Go to the store with the complete machine and with the receipt or invoice.

If you bought your product on a website:

- Make sure that your machine is complete with all accessories supplied, and clean! If this is not the case, the repairer will refuse the machine.
 - Create a SWAP-Europe service ticket on the site: <https://services.swap-europe.com> When making the request on SWAP-Europe, you must attach the invoice and the photo of the nameplate (serial number). Contact the repair station to make sure it is available before dropping off the machine.
- Go to the repair station with the complete machine packed, accompanied by the purchase invoice and the station support sheet downloadable after the service request is completed on the SWAP-Europe site

Please keep your original packaging to allow for after-sales service returns or pack your machine with a similar cardboard box of the same dimensions.

For any question concerning our after-sales service you can make a request on our website <https://services.swap-europe.com>

Our hotline remains available at +33 (9) 70 75 30 30.



WARRANTY EXCLUSIONS

THE WARRANTY DOES NOT COVER:

- Start-up and setting up of the product.
- Damage resulting from normal wear and tear of the product.
- Damage resulting from improper use of the product.
- Damage resulting from assembly or start-up not in accordance with the user manual.
- Breakdowns related to carburetion beyond 90 days and fouling of carburetors.
- Periodic and standard maintenance events.
- Actions of modification and dismantling that directly void the warranty.
- Products whose original authentication marking (brand, serial number) has been degraded, altered or withdrawn.
- Replacement of consumables.
- The use of non-original parts.
- Breakage of parts following impacts or projections.
- Accessories breakdowns.
- Defects and their consequences linked to any external cause.
- Loss of components and loss due to insufficient screwing.
- Cutting components and any damage related to the loosening of parts.
- Overload or overheating.
- Poor power supply quality: faulty voltage, voltage error, etc.
- Damages resulting from the deprivation of enjoyment of the product during the time necessary for repairs and more generally the costs related to the immobilization of the product.
- The costs of a second opinion established by a third party following an estimate by a SWAP-Europe repair station
- The use of a product which would show a defect or a breakage which was not the subject of an immediate report and/or repair with the services of SWAP-Europe.
- Deterioration linked to transport and storage*.
- Launchers beyond 90 days.
- Oil, petrol, grease.
- Damages related to the use of non-compliant fuels or lubricants.

* In accordance with transport legislation, damage related to transport must be declared to carriers within 48 hours maximum after observation by registered letter with acknowledgement of receipt.

This document is a supplement to your notice, a non-exhaustive list.

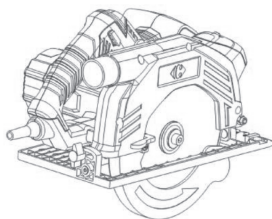
Attention: all orders must be checked in the presence of the delivery person. In case of refusal by the delivery person, it you must simply refuse the delivery and notify your refusal.

Reminder: the reserves do not exclude the notification by registered letter with acknowledgement within 72 hours.

Information:

Thermal devices must be wintered each season (service available on the SWAP-Europe site). Batteries must be charged before being stored.

Staple here your receipt



Product	Ref	EAN
1350W Circular Saw	DY94283	3616474461932



EN

For any comments or suggestions

Carrefour Consumer service
– CMI
TSA 91431
91343 MASSY Cedex
France
www.carrefour.fr

 **09 69 39 70 00**

APPEL NON SURTAXE

More information on
www.mycarrefourdocs.com